

**50/60 Hz**



# CONTROL PANELS

RANGE OF PANELS FOR CONTROL AND PROTECTION OF LOW VOLTAGE ELECTRIC PUMPS

**По вопросам продаж и поддержки обращайтесь:**

Архангельск (8182)63-90-72  
Астана +7(7172)727-132  
Астрахань (8512)99-46-04  
Барнаул (3852)73-04-60  
Белгород (4722)40-23-64  
Брянск (4832)59-03-52  
Владивосток (423)249-28-31  
Волгоград (844)278-03-48  
Вологда (8172)26-41-59  
Воронеж (473)204-51-73  
Екатеринбург (343)384-55-89  
Иваново (4932)77-34-06  
Ижевск (3412)26-03-58  
Иркутск (395) 279-98-46

Казань (843)206-01-48  
Калининград (4012)72-03-81  
Калуга (4842)92-23-67  
Кемерово (3842)65-04-62  
Киров (8332)68-02-04  
Краснодар (861)203-40-90  
Красноярск (391)204-63-61  
Курск (4712)77-13-04  
Липецк (4742)52-20-81  
Магнитогорск (3519)55-03-13  
Москва (495)268-04-70  
Мурманск (8152)59-64-93  
Набережные Челны (8552)20-53-41  
Нижний Новгород (831)429-08-12

Новокузнецк (3843)20-46-81  
Новосибирск (383)227-86-73  
Омск (3812)21-46-40  
Орел (4862)44-53-42  
Оренбург (3532)37-68-04  
Пенза (8412)22-31-16  
Пермь (342)205-81-47  
Ростов-на-Дону (863)308-18-15  
Рязань (4912)46-61-64  
Самара (846)206-03-16  
Санкт-Петербург (812)309-46-40  
Саратов (845)249-38-78  
Севастополь (8692)22-31-93  
Симферополь (3652)67-13-56

Смоленск (4812)29-41-54  
Сочи (862)225-72-31  
Ставрополь (8652)20-65-13  
Сургут (3462)77-98-35  
Тверь (4822)63-31-35  
Томск (3822)98-41-53  
Тула (4872)74-02-29  
Тюмень (3452)66-21-18  
Ульяновск (8422)24-23-59  
Уфа (347)229-48-12  
Хабаровск (4212)92-98-04  
Челябинск (351)202-03-61  
Череповец (8202)49-02-64  
Ярославль (4852)69-52-93

Киргизия (996)312-96-26-47

Казахстан (772)734-952-31

Таджикистан (992)427-82-92-69

Эл. почта [wro@nt-rt.ru](mailto:wro@nt-rt.ru) || Сайт: <https://lowara.nt-rt.ru/>



## CONTENTS

<b>QSM</b> Series .....	<b>5</b>
<b>QPC</b> Series .....	<b>6</b>
<b>QPCS</b> Series .....	<b>7</b>
<b>QSC</b> Series .....	<b>8</b>
<b>QSC</b> Series (60 Hz) .....	<b>9</b>
<b>QSCS</b> Series .....	<b>10</b>
<b>QSCS</b> Series (60 Hz) .....	<b>11</b>
<b>QCLP10</b> Series .....	<b>12</b>
<b>QCLP10/DI</b> Series .....	<b>13</b>
<b>QM</b> Series .....	<b>14</b>
<b>QTD</b> Series .....	<b>15</b>
<b>Q3D</b> Series .....	<b>16</b>
<b>Q3Y</b> Series .....	<b>17</b>
<b>Q3I</b> Series .....	<b>18</b>
<b>Q3A</b> Series .....	<b>19</b>

## CONTENTS

<b>Q3SF</b> Series .....	<b>20</b>
<b>QDRM</b> Series .....	<b>21</b>
<b>QDRMC</b> Series .....	<b>22</b>
<b>QDR</b> Series .....	<b>23</b>
<b>QYR</b> Series .....	<b>24</b>
<b>QDRM2</b> Series .....	<b>26</b>
<b>QDRMC2</b> Series .....	<b>27</b>
<b>QXR20</b> Series .....	<b>28</b>
<b>QDR2</b> Series .....	<b>29</b>
<b>QYR2</b> Series .....	<b>30</b>
<b>QCL5</b> Series .....	<b>32</b>
<b>QCL10</b> Series .....	<b>33</b>
<b>KSL</b> Series .....	<b>34</b>
<b>DPF</b> Series .....	<b>35</b>
<b>KIT RILS20</b> Series .....	<b>36</b>

## Single-phase Electric Panel

### APPLICATIONS

- Protection and control of a single-phase submersible electric pump for 4" wells

## QSM Series

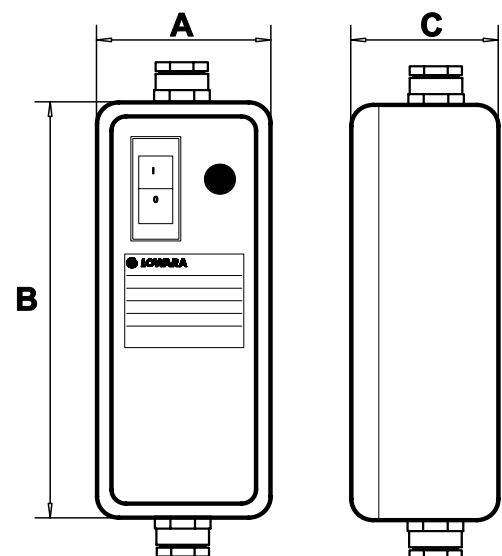


### SPECIFICATIONS

- Main switch for manual control.
- Supply voltage: 1 x 220-240 V  $\pm$ 5%.
- Frequency: 50 Hz.
- Power: 0,25 to 1,1 kW.
- Direct motor start.
- Protection class: IP54.
- Ambient temperature: -5 to +40 °C (according to EN 60439-1).
- Maximum relative humidity: 50% at +40°C, provided that no condensation occurs (according to EN 60439-1).
- Wall mounted.
- Plastic enclosure.
- Incorporated capacitor.
- Thermal protection with motor protector inside the panel.

### OPTIONAL FEATURES

- QSM PF version with overvoltage protection.



MODEL	RATED VOLTAGE V	RATED POWER		RATED CURRENT A	CAPACITOR 450V uF	DIMENSIONS			WEIGHT Kg
		kW	HP			A mm	B mm	C mm	
QSM 02	220-240	0,25	0,33	2,6	12,5	80	210	65	0,45
QSM 03	220-240	0,37	0,5	3,4	16	80	210	65	0,45
QSM 05	220-240	0,55	0,75	4,8	20	80	210	65	0,45
QSM 07	220-240	0,75	1	6,5	30	80	210	65	0,45
QSM 11	220-240	1,1	1,5	8,3	40	80	210	65	0,45

## Single-phase Electric Panel

### APPLICATIONS

- Protection and control of a single-phase submersible electric pump for 4" wells.

## QPC Series

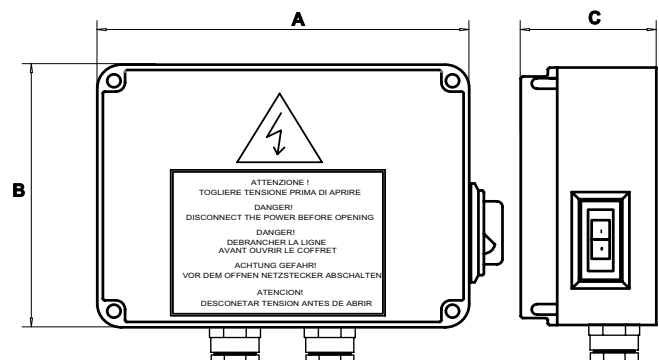


### SPECIFICATIONS

- Main switch for manual control.
- Supply voltage: 1 x 230 V  $\pm$  10%.
- Frequency: 50 Hz.
- Power: 0,25 to 2,2 kW.
- Direct motor start.
- Protection class: IP54.
- Ambient temperature: -5 to +40 °C (according to EN 60439-1).
- Maximum relative humidity: 50% at +40°C, provided that no condensation occurs (according to EN 60439-1).
- Wall mounted with fins.
- Plastic enclosure.
- Incorporated capacitor.
- Main switch with manual-reset thermal protection and power indicator light.

### OPTIONAL ACCESSORIES

- DPF single-phase module for overvoltage protection.



MODEL	RATED VOLTAGE V	RATED POWER		RATED CURRENT A	DIMENSIONS			WEIGHT Kg	CAPACITOR $\mu$ F/450V
		kW	HP		A mm	B mm	C mm		
QPC/02	1 x 230 V $\pm$ 10 %	0,25	0,33	3	170	170	75	1,1	12,5
QPC/03	1 x 230 V $\pm$ 10 %	0,37	0,5	4	170	170	75	1,1	16
QPC/05	1 x 230 V $\pm$ 10 %	0,55	0,75	5	170	170	75	1,1	20
QPC/07	1 x 230 V $\pm$ 10 %	0,75	1	6	170	170	75	1,1	30
QPC/11	1 x 230 V $\pm$ 10 %	1,1	1,5	9	170	170	75	1,1	40
QPC/15	1 x 230 V $\pm$ 10 %	1,5	2	11	170	170	75	1,1	50
QPC/22	1 x 230 V $\pm$ 10 %	2,2	3	16	170	170	127	1,2	70

## Single-phase Electric Panel

### APPLICATIONS

- Protection and control of a single-phase submersible electric pump for 4" wells.

## QPCS Series



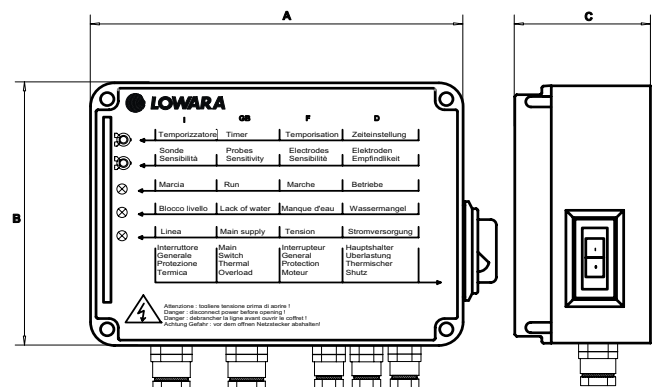
### SPECIFICATIONS

- Automatic control through an external enable contact.
- Supply voltage: 1 x 230 V  $\pm$  10%.
- Frequency: 50 Hz.
- Power: 0,25 to 2,2 kW.
- 12 V AC low-voltage auxiliary circuit.
- Direct motor start.
- Protection class: IP54.
- Ambient temperature: -5 to +40 °C (according to EN 60439-1).
- Maximum relative humidity: 50% at +40°C, provided that no condensation occurs (according to EN 60439-1).
- Wall mounted with fins.
- Plastic enclosure with transparent cover.
- Incorporated capacitor.

- Main switch with manual-reset thermal protection and power indicator light.
- Power, pump running, level control LED.
- Overvoltage discharges.
- Dry running control through probes or float or minimum pressure switch.

### OPTIONAL ACCESSORIES

- Set of 3 electrodes (probes) without cable.
- Float.
- Pressure switch.



MODEL	RATED VOLTAGE V	RATED POWER		RATED CURRENT A	DIMENSIONS			WEIGHT Kg	CAPACITOR $\mu$ F/450V
		kW	HP		A	B	C		
QPCS/02	1 x 230 V $\pm$ 10 %	0,25	0,33	3	200	150	80	1,3	12,5
QPCS/03	1 x 230 V $\pm$ 10 %	0,37	0,5	4	200	150	80	1,3	16
QPCS/05	1 x 230 V $\pm$ 10 %	0,55	0,75	5	200	150	80	1,3	20
QPCS/07	1 x 230 V $\pm$ 10 %	0,75	1	6	200	150	80	1,3	30
QPCS/11	1 x 230 V $\pm$ 10 %	1,1	1,5	9	200	150	80	1,3	40
QPCS/15	1 x 230 V $\pm$ 10 %	1,5	2	11	200	150	80	1,3	50
QPCS/22	1 x 230 V $\pm$ 10 %	2,2	3	16	200	150	80	1,3	70

## Single-phase Electric Panel

### APPLICATIONS

- Protection and control of a single-phase submersible electric pump for 4" wells.

## QSC Series

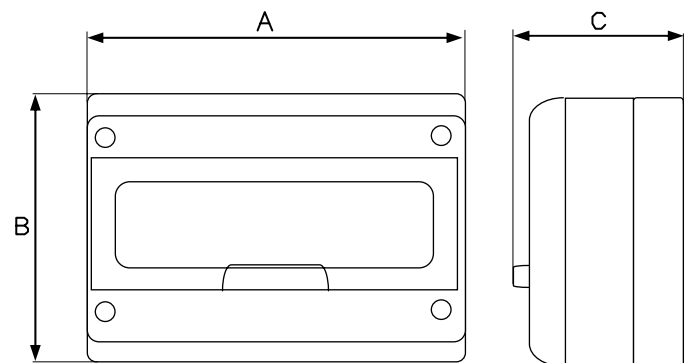


### SPECIFICATIONS

- Main switch for manual control.
- Supply voltage: 1 x 230 V  $\pm$  10%.
- Frequency: 50 Hz.
- Power: 0,25 to 4 kW.
- Direct motor start.
- Protection class: IP55.
- Ambient temperature: -5 to +40 °C (according to EN 60439-1).
- Maximum relative humidity: 50% at +40°C, provided that no condensation occurs (according to EN 60439-1).
- Wall mounted.
- Plastic enclosure.
- Incorporated capacitor.
- Main switch with manual-reset thermal protection.

### OPTIONAL ACCESSORIES

- DPF single-phase module for overvoltage protection.



MODEL	RATED VOLTAGE V	RATED POWER		RATED CURRENT A	DIMENSIONS			WEIGHT Kg	CAPACITOR $\mu$ F/450V
		kW	HP		A mm	B mm	C mm		
QSC/02	1 x 230 V $\pm$ 10 %	0,25	0,33	2,5 $\div$ 4	205	220	160	1,7	12,5
QSC/03	1 x 230 V $\pm$ 10 %	0,37	0,5	4 $\div$ 6,3	205	220	160	1,7	16
QSC/05	1 x 230 V $\pm$ 10 %	0,55	0,75	4 $\div$ 6,3	205	220	160	1,7	20
QSC/07	1 x 230 V $\pm$ 10 %	0,75	1	4 $\div$ 6,3	205	220	160	1,7	30
QSC/11	1 x 230 V $\pm$ 10 %	1,1	1,5	6,3 $\div$ 10	205	220	160	1,7	40
QSC/15	1 x 230 V $\pm$ 10 %	1,5	2	10 $\div$ 16	205	220	160	1,7	50
QSC/22	1 x 230 V $\pm$ 10 %	2,2	3	16 $\div$ 20	205	220	160	2,7	70
QSC/40	1 x 230 V $\pm$ 10 %	4	5,5	25 $\div$ 32	280	220	160	3	90

CB-QSC-en\_d\_te



## Single-phase Electric Panel

### APPLICATIONS

- Protection and control of a single-phase submersible electric pump for 4" wells.

## QSC Series (60 Hz)

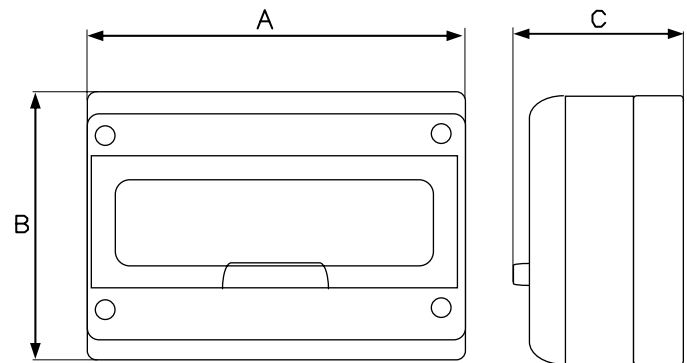


### SPECIFICATIONS

- Main switch for manual control.
- Supply voltage: 1 x 230 V  $\pm$  10%.
- Frequency: 60 Hz.
- Power: 0,37 to 4 kW.
- Direct motor start.
- Protection class: IP55.
- Ambient temperature: -5 to +40 °C (according to EN 60439-1).
- Maximum relative humidity: 50% at +40°C, provided that no condensation occurs (according to EN 60439-1).
- Wall mounted.
- Plastic enclosure.
- Incorporated capacitor.
- Main switch with thermal protection.

### OPTIONAL ACCESSORIES

- DPF single-phase module for overvoltage protection.



MODEL	RATED VOLTAGE V	RATED POWER		RATED CURRENT A	DIMENSIONS			WEIGHT Kg	CAPACITOR $\mu$ F/450V
		kW	HP		A mm	B mm	C mm		
QSC/036	1 x 230 V $\pm$ 10 %	0,37	0,5	4 $\div$ 6,3	205	220	160	1,7	20
QSC/056	1 x 230 V $\pm$ 10 %	0,55	0,75	4 $\div$ 6,3	205	220	160	1,7	25
QSC/056A	1 x 230 V $\pm$ 10 %	0,55	0,75	6,3 $\div$ 10	205	220	160	1,7	25
QSC/076	1 x 230 V $\pm$ 10 %	0,75	1	6,3 $\div$ 10	205	220	160	1,7	35
QSC/116	1 x 230 V $\pm$ 10 %	1,1	1,5	6,3 $\div$ 10	205	220	160	1,7	40
QSC/116A	1 x 230 V $\pm$ 10 %	1,1	1,5	10 $\div$ 16	205	220	160	1,7	40
QSC/156	1 x 230 V $\pm$ 10 %	1,5	2	10 $\div$ 16	205	220	160	1,7	50
QSC/226	1 x 230 V $\pm$ 10 %	2,2	3	16 $\div$ 20	205	220	160	2,7	50
QSC/406	1 x 230 V $\pm$ 10 %	4	5,5	25 $\div$ 32	280	220	160	3	75

## Single-phase Electric Panel

### APPLICATIONS

- Protection and control of a single-phase submersible electric pump for 4" wells.

## QSCS Series



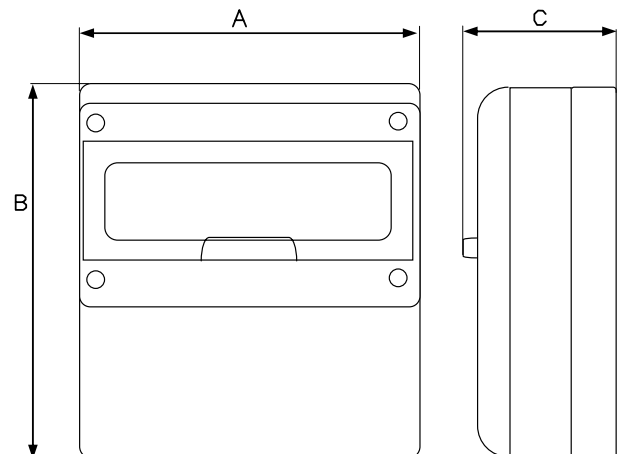
### SPECIFICATIONS

- Automatic control through an external enable contact.
- Supply voltage: 1 x 230 V  $\pm$  10%.
- Frequency: 50 Hz.
- Power: 0,25 to 2,2 kW.
- Direct motor start.
- Protection class: IP55.
- Ambient temperature: -5 to +40 °C (according to EN 60439-1).
- Maximum relative humidity: 50% at +40°C, provided that no condensation occurs (according to EN 60439-1).
- Wall mounted.
- Plastic enclosure.
- Incorporated capacitor.

- Main switch with manual-reset thermal protection.
- Dry running control with float or minimum pressure switch (available separately).

### OPTIONAL ACCESSORIES

- DPF single-phase module for overvoltage protection.
- KSL series 24 V level kit. Probe module for protection against dry running (set of three electrodes included in the supply).



MODEL	RATED VOLTAGE V	RATED POWER		RATED CURRENT A	DIMENSIONS			WEIGHT Kg	CAPACITOR $\mu$ F/450V
		kW	HP		A mm	B mm	C mm		
QSCS/02	1 x 230 V $\pm$ 10 %	0,25	0,33	2,5 $\div$ 4	280	370	160	3,7	12,5
QSCS/03	1 x 230 V $\pm$ 10 %	0,37	0,5	4 $\div$ 6,3	280	370	160	3,7	16
QSCS/05	1 x 230 V $\pm$ 10 %	0,55	0,75	4 $\div$ 6,3	280	370	160	3,7	20
QSCS/07	1 x 230 V $\pm$ 10 %	0,75	1	4 $\div$ 6,3	280	370	160	3,7	30
QSCS/11	1 x 230 V $\pm$ 10 %	1,1	1,5	6,3 $\div$ 10	280	370	160	3,7	40
QSCS/15	1 x 230 V $\pm$ 10 %	1,5	2	10 $\div$ 16	280	370	160	3,7	50
QSCS/22	1 x 230 V $\pm$ 10 %	2,2	3	16 $\div$ 20	280	370	160	3,7	70
QSCS/40	1 x 230 V $\pm$ 10 %	4	5,5	25 $\div$ 32	280	370	160	4	90

CB-QSCS-en\_c\_te

## Single-phase Electric Panel

### APPLICATIONS

- Protection and control of a single-phase submersible electric pump for 4" wells.

## QSCS Series (60 Hz)



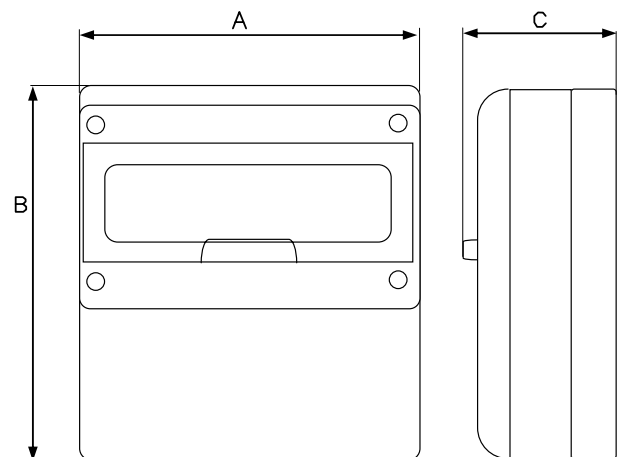
### SPECIFICATIONS

- Automatic control through an external enable contact.
- Supply voltage: 1 x 230 V  $\pm$  10%.
- Frequency: 60 Hz.
- Power: 0,37 to 2,2 kW.
- Direct motor start.
- Protection class: IP55.
- Ambient temperature: -5 to +40 °C (according to EN 60439-1).
- Maximum relative humidity: 50% at +40°C, provided that no condensation occurs (according to EN 60439-1).
- Wall mounted.
- Plastic enclosure.
- Incorporated capacitor.

- Main switch with thermal protection.
- Dry running control with float or minimum pressure switch (available separately).

### OPTIONAL ACCESSORIES

- DPF single-phase module for overvoltage protection.
- KSL series 24 V level kit. Probe module for protection against dry running (set of three electrodes included in the supply).



MODEL	RATED VOLTAGE V	RATED POWER		RATED CURRENT A	DIMENSIONS			WEIGHT Kg	CAPACITOR $\mu$ F/450V
		kW	HP		A mm	B mm	C mm		
QSCS/036	1 x 230 V $\pm$ 10 %	0,37	0,5	4 $\div$ 6,3	280	370	160	3,7	20
QSCS/056	1 x 230 V $\pm$ 10 %	0,55	0,75	4 $\div$ 6,3	280	370	160	3,7	25
QSCS/056A	1 x 230 V $\pm$ 10 %	0,55	0,75	6,3 $\div$ 10	280	370	160	3,7	25
QSCS/076	1 x 230 V $\pm$ 10 %	0,75	1	6,3 $\div$ 10	280	370	160	3,7	35
QSCS/116	1 x 230 V $\pm$ 10 %	1,1	1,5	6,3 $\div$ 10	280	370	160	3,7	40
QSCS/116A	1 x 230 V $\pm$ 10 %	1,1	1,5	10 $\div$ 16	280	370	160	3,7	40
QSCS/156	1 x 230 V $\pm$ 10 %	1,5	2	10 $\div$ 16	280	370	160	3,7	50
QSCS/226	1 x 230 V $\pm$ 10 %	2,2	3	16 $\div$ 20	280	370	160	3,7	50
QSCS/406	1 x 230 V $\pm$ 10 %	4	5,5	25 $\div$ 32	280	370	160	4	75

## Single-phase Electric Panel

### APPLICATIONS

- Protection and control of a single-phase electric pump.

## QCLP10 Series



### SPECIFICATIONS

- Automatic control through probes.
- Supply voltage: 1 x 230 V  $\pm$  10%.
- Frequency: 50/60 Hz.
- Voltage to probes: 7,5 V AC at 0,4 mA max.
- Protection class: IP55.
- Ambient temperature: -5 to +40 °C (according to EN 60439-1).
- Maximum relative humidity: 50% at +40°C, provided that no condensation occurs (according to EN 60439-1).
- Wall mounted.
- Enclosure made of plastic material, with clear door enabling access to the magnetothermal switch.
- Electrodes suitable for water at a maximum temperature of 60°C.
- Set of three electrodes included in the supply.
- Short-circuit and overload protection C characteristic
- Power: 0,25 to 1,5 kW.

### OPTIONAL ACCESSORIES

- Drop cable with circular cross section.

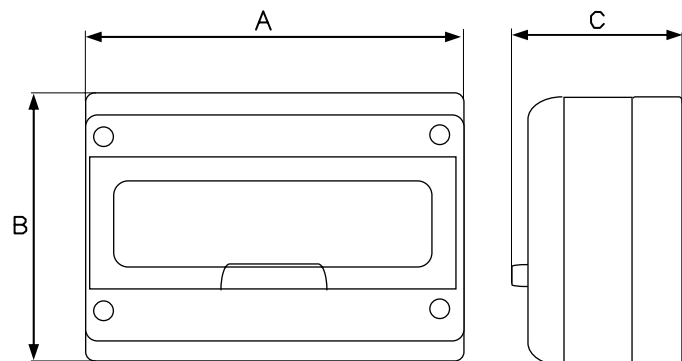
For connection of the electrodes to the panel we recommend the following cross sections:

LENGHT m		CABLE SECTION mm <sup>2</sup>
0	50	0,5
50	100	0,75
100	200	1,0
200	400	2,5

CB-CASEL-en\_b\_te

Three-pole cables can be used for short lengths.

Otherwise we recommend the use of unipolar cables placed at suitable distance from each other to prevent the capacitive effect of the cable from interfering with the proper operation of the electronic module.



TYPE	POWER SUPPLY		CONTACTOR			MAGNETO-THERMAL SWITCH	DIMENSIONS A x B x C mm	WEIGHT Kg
	MAIN V	SECONDARY V	CLASS	RANGE V A				
QCLP10/230	1x230	50/60 Hz	-	AC3	230 11	C 16A Icn 4,5 KA	205 x 220 x 160	1,5

CB-QCLP10-en\_c\_te

## Single-phase Electric Panel

### APPLICATIONS

- Protection and control of a single-phase electric pump type residual current breaker with overload protection.

## Series QCLP10/DI



### SPECIFICATIONS

- Automatic control through probes.
- Supply voltage: 1 x 230 V ± 10%.
- Frequency: 50/60 Hz.
- Voltage to probes: 7,5 V AC at 0,4 mA max.
- Protection class: IP55.
- Ambient temperature: -5 to +40 °C (according to EN 60439-1).
- Maximum relative humidity: 50% at +40°C, provided that no condensation occurs (according to EN 60439-1).
- Wall mounted.
- Enclosure made of plastic material, with clear door enabling access to the magnetothermal switch.
- Electrodes suitable for water at a maximum temperature of 60°C.
- Set of three electrodes included in the supply.
- Short-circuit and overload protection C characteristic.  
Residual current device A type 30 mA.
- Power: 0,25 to 1,5 kW.

### OPTIONAL ACCESSORIES

- Drop cable with circular cross section.

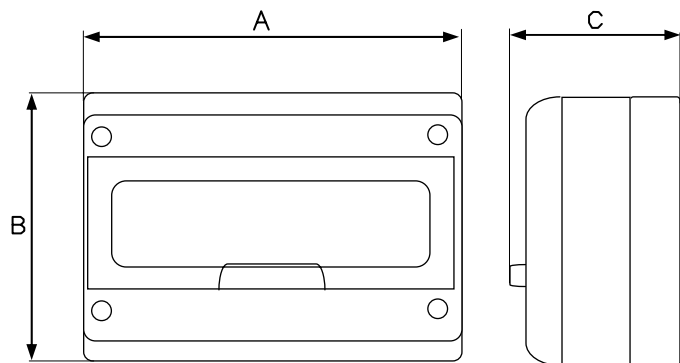
For connection of the electrodes to the panel we recommend the following cross sections:

LENGHT m		CABLE SECTION mm <sup>2</sup>
0	50	0,5
50	100	0,75
100	200	1,0
200	400	2,5

CB-CASEL-en\_b\_te

Three-pole cables can be used for short lengths.

Otherwise we recommend the use of unipolar cables placed at suitable distance from each other to prevent the capacitive effect of the cable from interfering with the proper operation of the electronic module.



TYPE	POWER SUPPLY		CONTACTOR			MAGNETO-THERMAL SWITCH	DIMENSIONS A x B x C mm	WEIGHT Kg
	MAIN V	SECONDARY V	CLASS	RANGE V A				
QCLP10/230/DI	1x230	50/60 Hz	-	230	11	C 16A Icn 4,5 KA	205 x 220 x 160	1,5

CB-QCLP10-DI-en\_a\_te

## Single-phase Electric Panel

### APPLICATIONS

- Protection and control of a single-phase electric pump.

## QM Series

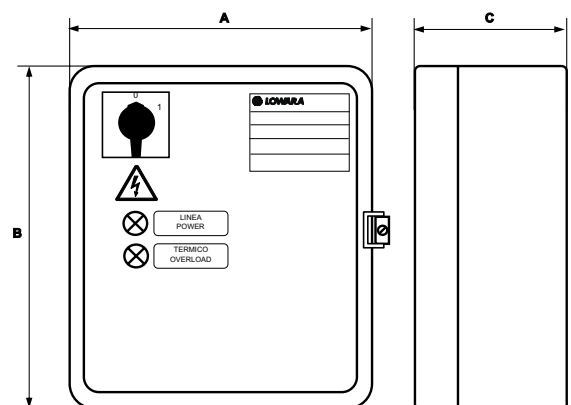


### SPECIFICATIONS

- Automatic control through an external enable contact.
- Supply voltage: 1 x 230 V  $\pm$  10%.
- Frequency: 50/60 Hz.
- Power: 0,25 to 2,2 kW.
- Direct motor start.
- Protection class: IP54.
- Ambient temperature: -5 to +40 °C (according to EN 60439-1).
- Maximum relative humidity: 50% at +40°C, provided that no condensation occurs (according to EN 60439-1).
- Wall mounted.
- Metal enclosure.
- Ready for installation of dry running control float or pressure switch (to be ordered separately).
- Power and thermal overload indicator lights

### OPTIONAL ACCESSORIES

- KSL series 24 V level kit.  
Probe module for protection against dry running (set of three electrodes included in the supply).



MODEL	RATED VOLTAGE V	RATED POWER		RATED CURRENT A	DIMENSIONS			WEIGHT Kg
		kW	HP		A mm	B mm	C mm	
QM/02	1 x 230 V $\pm$ 10 %	0,25	0,33	1 $\div$ 1,6	235	265	150	5,8
QM/03	1 x 230 V $\pm$ 10 %	0,37	0,5	1,6 $\div$ 2,5	235	265	150	5,8
QM/05	1 x 230 V $\pm$ 10 %	0,55	0,75	2,5 $\div$ 4	235	265	150	5,8
QM/07	1 x 230 V $\pm$ 10 %	0,75	1	4 $\div$ 6,3	235	265	150	5,8
QM/15	1 x 230 V $\pm$ 10 %	1,5	2	6,3 $\div$ 10	235	265	150	5,8
QM/22	1 x 230 V $\pm$ 10 %	2,2	3	10 $\div$ 16	235	265	150	5,8

CB-QM-en\_b\_te

## Three-phase Electric Panel

### APPLICATIONS

- Protection and control of a three-phase electric pump.

## QTD Series



### SPECIFICATIONS

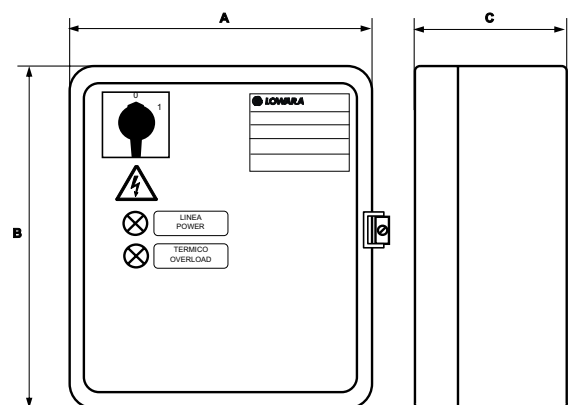
- Control through an external enable contact.
- Supply voltage: 3 x 400 V  $\pm$  10%.
- Frequency: 50/60 Hz.
- Power: 0,25 to 9,2 kW.
- Direct motor start.
- Short-circuit and overload protection.
- Protection class: IP54.
- Ambient temperature: -5 to +40 °C (according to EN 60439-1).
- Maximum relative humidity: 50% at +40°C, provided that no condensation occurs (according to EN 60439-1).
- Wall mounted.
- Metal enclosure.
- Ready for installation of dry running control float or pressure switch (to be ordered separately).
- Power and thermal overload indicator lights.

### OPTIONAL ACCESSORIES

- KSL series 24 V level kit.  
Probe module for protection against dry running (set of three electrodes included in the supply).

### SELECTION

- For a suitable choice of control panel, be sure the electrical input of the motor (Ampere) is included in the rated current value mentioned in the table below.



MODEL	RATED VOLTAGE V	RATED POWER		RATED CURRENT A	DIMENSIONS			WEIGHT Kg
		kW	HP		A mm	B mm	C mm	
QTD/02-03	3 x 400 V $\pm$ 10 %	0,25-0,37	0,33-0,50	0,63 ÷ 1	235	265	150	5,8
QTD/03-05	3 x 400 V $\pm$ 10 %	0,37-0,55	0,55-0,75	1 ÷ 1,6	235	265	150	5,8
QTD/05-07	3 x 400 V $\pm$ 10 %	0,55-0,75	0,75-1	1,6 ÷ 2,5	235	265	150	5,8
QTD/07-15	3 x 400 V $\pm$ 10 %	0,75-1,5	1-2	2,5 ÷ 4	235	265	150	5,8
QTD/15-22	3 x 400 V $\pm$ 10 %	1,5-2,2	2-3	4 ÷ 6,3	235	265	150	5,8
QTD/22-40	3 x 400 V $\pm$ 10 %	2,2-4	3-5,5	6,3 ÷ 10	235	265	150	5,8
QTD/40-75	3 x 400 V $\pm$ 10 %	4-7,5	5,5-10	10 ÷ 16	235	265	150	5,8
QTD/75-92	3 x 400 V $\pm$ 10 %	7,5-9,2	10-12,5	16 ÷ 20	235	265	150	5,8

## Three-phase Electric Panel

### APPLICATIONS

- Protection and control of a three-phase electric pump.

## Q3D Series



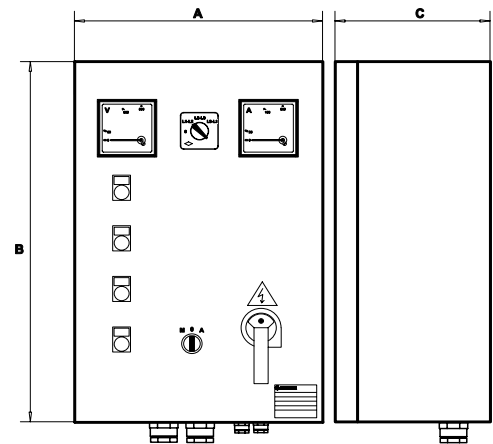
### SPECIFICATIONS

- Manual control through an Auto/Man selector switch.
- Automatic control through an external enable contact.
- Supply voltage: 3 x 400 V  $\pm$  10%.
- Frequency: 50/60 Hz.
- 24 V AC low voltage auxiliary circuit.
- Power: 0,25 to 37 kW.
- Direct motor start.
- Short-circuit and overload protection.
- Protection class: IP54.
- Ambient temperature: -5 to +40 °C (according to EN 60439-1).
- Maximum relative humidity: 50% at +40°C, provided that no condensation occurs (according to EN 60439-1).
- Wall mounted.
- Metal enclosure.
- Power, pump running, thermal overload and dry running indicator lights.

- Ready for installation of dry running control float or pressure switch (to be ordered separately). Can be equipped with electronic protection module with electrodes.

### OPTIONAL ACCESSORIES

- KSL series 24 V level kit. Probe module for protection against dry running (set of three electrodes included in the supply).
- Float.
- Pressure switch.



MODEL	RATED VOLTAGE V	RATED POWER		RATED CURRENT A	DIMENSIONS			WEIGHT Kg
		kW	HP		A mm	B mm	C mm	
Q3D/02-03	3 x 400 V $\pm$ 10 %	0,25-0,37	0,33-0,50	0,63 $\div$ 1	300	400	200	15
Q3D/03-05	3 x 400 V $\pm$ 10 %	0,37-0,55	0,5-0,75	1 $\div$ 1,6	300	400	200	15
Q3D/05-07	3 x 400 V $\pm$ 10 %	0,55-0,75	0,75-1	1,6 $\div$ 2,5	300	400	200	15
Q3D/07-15	3 x 400 V $\pm$ 10 %	0,75-1,5	1-2	2,5 $\div$ 4	300	400	200	15
Q3D/15-22	3 x 400 V $\pm$ 10 %	1,5-2,2	2-3	4 $\div$ 6,3	300	400	200	15
Q3D/22-40	3 x 400 V $\pm$ 10 %	2,2-4	3-5,5	6,3 $\div$ 10	300	400	200	15
Q3D/40-75	3 x 400 V $\pm$ 10 %	4-7,5	5,5-10	10 $\div$ 16	300	400	200	15
Q3D/75-92	3 x 400 V $\pm$ 10 %	7,5-9,2	10-12,5	16 $\div$ 20	300	400	200	15
Q3D/92-110	3 x 400 V $\pm$ 10 %	9,2-11	12,5-15	20 $\div$ 25	300	400	200	20
Q3D/110-150	3 x 400 V $\pm$ 10 %	11-15	15-20	22 $\div$ 32	400	500	200	20
Q3D/150-185	3 x 400 V $\pm$ 10 %	15-18,5	20-25	28 $\div$ 40	400	500	200	20
Q3D/185-220	3 x 400 V $\pm$ 10 %	18,5-22	25-30	36 $\div$ 50	400	600	200	27
Q3D/220-300	3 x 400 V $\pm$ 10 %	22-30	30-40	45 $\div$ 63	400	600	200	27
Q3D/300-370	3 x 400 V $\pm$ 10 %	30-37	40-50	57 $\div$ 75	400	600	200	27



## Three-phase Electric Panel

### Q3Y Series



### APPLICATIONS

- Protection and control of a three-phase electric pump.

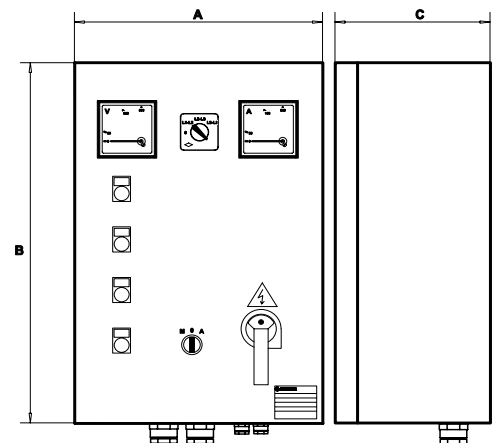
### SPECIFICATIONS

- Manual control through an Auto/Man selector switch.
- Automatic control through an external enable contact.
- Supply voltage: 3 x 400 V  $\pm$  10%.
- Frequency: 50/60 Hz.
- 24 V AC low voltage auxiliary circuit.
- Power: 4 to 315 kW.
- Star-delta starting.
- Short-circuit and overload protection.
- Protection class: IP54.
- Ambient temperature: -5 to +40 °C (according to EN 60439-1).
- Maximum relative humidity: 50% at +40°C, provided that no condensation occurs (according to EN 60439-1).
- Wall mounted.
- Metal enclosure.
- Power, pump running, thermal overload and dry running indicator lights.

- Ready for installation of dry running control float or pressure switch (to be ordered separately). Can be equipped with electronic protection module with electrodes.

### OPTIONAL ACCESSORIES

- KSL series 24 V level kit. Probe module for protection against dry running (set of three electrodes included in the supply).
- Float.
- Pressure switch.



MODEL	RATED VOLTAGE V	RATED POWER		RATED CURRENT A	DIMENSIONS			WEIGHT Kg
		kW	HP		A mm	B mm	C mm	
Q3Y/40-75	3 x 400 V $\pm$ 10 %	4-7,5	5,5-10	10 $\div$ 16	400	600	200	23
Q3Y/75-92	3 x 400 V $\pm$ 10 %	7,5-9,2	10-12,5	16 $\div$ 20	400	600	200	23
Q3Y/92-110	3 x 400 V $\pm$ 10 %	9,2-11	12,5-15	20 $\div$ 25	400	600	200	23
Q3Y/110-150	3 x 400 V $\pm$ 10 %	11-15	15-20	22 $\div$ 32	400	600	200	23
Q3Y/150-185	3 x 400 V $\pm$ 10 %	15-18,5	20-25	28 $\div$ 40	400	600	200	23
Q3Y/185-220	3 x 400 V $\pm$ 10 %	18,5-22	25-30	36 $\div$ 50	500	700	200	32
Q3Y/220-300	3 x 400 V $\pm$ 10 %	22-30	30-40	45 $\div$ 63	500	700	200	32
Q3Y/300-370	3 x 400 V $\pm$ 10 %	30-37	40-50	57 $\div$ 75	600	800	250	68
Q3Y/370-450	3 x 400 V $\pm$ 10 %	37-45	50-60	70 $\div$ 90	600	800	250	80
Q3Y/450-550	3 x 400 V $\pm$ 10 %	45-55	60-75	80 $\div$ 108	600	900	250	80
Q3Y/550-750	3 x 400 V $\pm$ 10 %	55-75	75-100	105 $\div$ 138	600p	1300p	300p	109
Q3Y/750-900	3 x 400 V $\pm$ 10 %	75-90	100-125	138 $\div$ 185	600p	1300p	300p	109
Q3Y/900-1100	3 x 400 V $\pm$ 10 %	90-110	125-150	175 $\div$ 210	600p	1500p	300p	120
Q3Y/1100-1320	3 x 400 V $\pm$ 10 %	110-132	150-180	210 $\div$ 260	800p	1700p	400p	130
Q3Y/1320-1600	3 x 400 V $\pm$ 10 %	132-160	180-218	250 $\div$ 305	800p	1700p	400p	130
Q3Y/1600-2000	3 x 400 V $\pm$ 10 %	160-200	218-273	290 $\div$ 400	800p	1900p	400p	140
Q3Y/2000-2500	3 x 400 V $\pm$ 10 %	200-250	273-340	400 $\div$ 460	1000p	1900p	400p	180
Q3Y/2500-3150	3 x 400 V $\pm$ 10 %	250-315	340-430	450 $\div$ 580	1000p	1900p	400p	180

Dimensions note : P indicates floor mounted control panel.

CB-Q3Y-en\_c\_te

## Three-phase Electric Panel

### Q3I Series



### APPLICATIONS

- Protection and control of a three-phase electric pump.

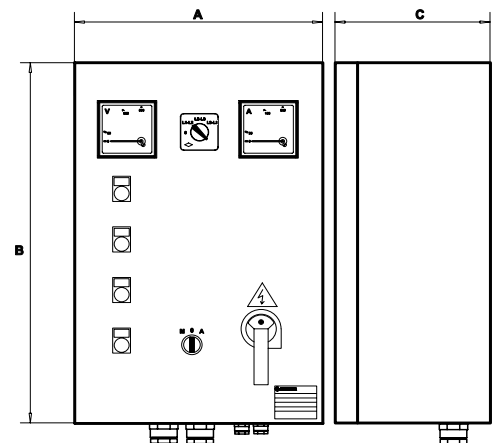
### SPECIFICATIONS

- Manual control through an Auto/Man selector switch.
- Automatic control through an external enable contact.
- Supply voltage: 3 x 400 V ± 10%.
- Frequency: 50/60 Hz.
- 24 V AC low voltage auxiliary circuit.
- Power: 4 to 315 kW.
- Impedance start.
- Short-circuit and overload protection.
- Protection class: IP54.
- Ambient temperature: -5 to +40 °C (according to EN 60439-1).
- Maximum relative humidity: 50% at +40°C, provided that no condensation occurs (according to EN 60439-1).
- Wall mounted.
- Metal enclosure.
- Power, pump running, thermal overload and dry running indicator lights.

- Ready for installation of dry running control float or pressure switch (to be ordered separately). Can be equipped with electronic protection module with electrodes.

### OPTIONAL ACCESSORIES

- KSL series 24 V level kit. Probe module for protection against dry running (set of three electrodes included in the supply).
- Float.
- Pressure switch.



MODEL	RATED VOLTAGE V	RATED POWER		RATED CURRENT A	DIMENSIONS			WEIGHT Kg
		kW	HP		A mm	B mm	C mm	
Q3I/40-75	3 x 400 V ± 10 %	4-7,5	5,5-10	10 ÷ 16	400	600	250	35
Q3I/75-92	3 x 400 V ± 10 %	7,5-9,2	10-12,5	16 ÷ 20	400	600	250	35
Q3I/92-110	3 x 400 V ± 10 %	9,2-11	12,5-15	20 ÷ 25	400	600	250	35
Q3I/110-150	3 x 400 V ± 10 %	11-15	15-20	22 ÷ 32	500	700	250	50
Q3I/150-185	3 x 400 V ± 10 %	15-18,5	20-25	28 ÷ 40	500	700	250	50
Q3I/185-220	3 x 400 V ± 10 %	18,5-22	25-30	36 ÷ 50	500	700	250	50
Q3I/220-300	3 x 400 V ± 10 %	22-30	30-40	45 ÷ 63	500	700	250	65
Q3I/300-370	3 x 400 V ± 10 %	30-37	40-50	57 ÷ 75	500	700	250	65
Q3I/370-450	3 x 400 V ± 10 %	37-45	50-60	70 ÷ 90	600	900	250	65
Q3I/450-550	3 x 400 V ± 10 %	45-55	60-75	80 ÷ 108	600p	1300p	300p	100
Q3I/550-750	3 x 400 V ± 10 %	55-75	75-100	105 ÷ 138	600p	1300p	300p	100
Q3I/750-900	3 x 400 V ± 10 %	75-90	100-125	138 ÷ 185	600p	1500p	300p	100
Q3I/900-1100	3 x 400 V ± 10 %	90-110	125-150	175 ÷ 210	800p	1700p	400p	100
Q3I/1100-1320	3 x 400 V ± 10 %	110-132	150-180	210 ÷ 260	800p	1700p	400p	150
Q3I/1320-1600	3 x 400 V ± 10 %	132-160	180-218	250 ÷ 305	800p	1700p	400p	150
Q3I/1600-2000	3 x 400 V ± 10 %	160-200	218-273	290 ÷ 400	800p	1900p	400p	160
Q3I/2000-2500	3 x 400 V ± 10 %	200-250	273-340	400 ÷ 460	1000p	1900p	400p	180
Q3I/2500-3150	3 x 400 V ± 10 %	250-315	340-430	450 ÷ 580	1000p	1900p	400p	200

Dimensions note : P indicates floor mounted control panel.

CB-Q3I-en\_c\_te

## Three-phase Electric Panel

### Q3A Series



### APPLICATIONS

- Protection and control of a three-phase electric pump.

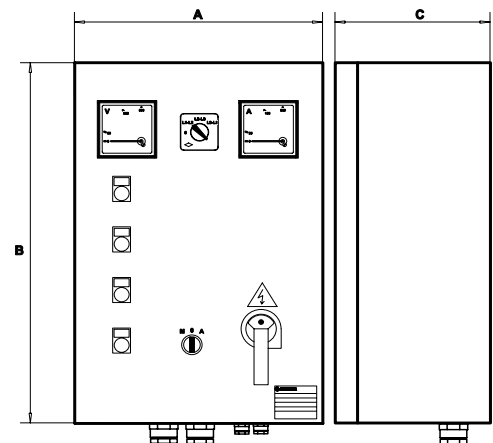
### SPECIFICATIONS

- Manual control through an Auto/Man selector switch.
- Automatic control through an external enable contact.
- Supply voltage: 3 x 400 V  $\pm$  10%.
- Frequency: 50/60 Hz.
- 24 V AC low voltage auxiliary circuit.
- Power: 4 to 315 kW.
- Starting autotransformer.
- Short-circuit and overload protection.
- Protection class: IP54.
- Ambient temperature: -5 to +40 °C (according to EN 60439-1).
- Maximum relative humidity: 50% at +40°C, provided that no condensation occurs (according to EN 60439-1).
- Wall mounted.
- Metal enclosure.
- Power, pump running, thermal overload and dry running indicator lights.

- Ready for installation of dry running control float or pressure switch (to be ordered separately). Can be equipped with electronic protection module with electrodes.

### OPTIONAL ACCESSORIES

- KSL series 24 V level kit. Probe module for protection against dry running (set of three electrodes included in the supply).
- Float.
- Pressure switch.



MODEL	RATED VOLTAGE V	RATED POWER		RATED CURRENT A	DIMENSIONS			WEIGHT Kg
		kW	HP		A mm	B mm	C mm	
Q3A/40-75	3 x 400 V $\pm$ 10 %	4-7,5	5,5-10	10 $\div$ 16	500	700	250	50
Q3A/75-92	3 x 400 V $\pm$ 10 %	7,5-9,2	10-12,5	16 $\div$ 20	500	700	250	50
Q3A/92-110	3 x 400 V $\pm$ 10 %	9,2-11	12,5-15	20 $\div$ 25	500	700	250	50
Q3A/110-150	3 x 400 V $\pm$ 10 %	11-15	15-20	22 $\div$ 32	500	700	250	50
Q3A/150-185	3 x 400 V $\pm$ 10 %	15-18,5	20-25	28 $\div$ 40	500	700	250	50
Q3A/185-220	3 x 400 V $\pm$ 10 %	18,5-22	25-30	36 $\div$ 50	500	700	250	50
Q3A/220-300	3 x 400 V $\pm$ 10 %	22-30	30-40	45 $\div$ 63	600	900	300	80
Q3A/300-370	3 x 400 V $\pm$ 10 %	30-37	40-50	57 $\div$ 75	600	900	300	80
Q3A/370-450	3 x 400 V $\pm$ 10 %	37-45	50-60	70 $\div$ 90	600p	1300p	300p	90
Q3A/450-550	3 x 400 V $\pm$ 10 %	45-55	60-75	80 $\div$ 108	600p	1500p	300p	120
Q3A/550-750	3 x 400 V $\pm$ 10 %	55-75	75-100	105 $\div$ 138	600p	1500p	300p	120
Q3A/750-900	3 x 400 V $\pm$ 10 %	75-90	100-125	138 $\div$ 185	600p	1700p	400p	150
Q3A/900-1100	3 x 400 V $\pm$ 10 %	90-110	125-150	175 $\div$ 210	800p	1900p	400p	150
Q3A/1100-1320	3 x 400 V $\pm$ 10 %	110-132	150-180	210 $\div$ 260	800p	1900p	400p	200
Q3A/1320-1600	3 x 400 V $\pm$ 10 %	132-160	180-218	250 $\div$ 305	800p	1900p	400p	200
Q3A/1600-2000	3 x 400 V $\pm$ 10 %	160-200	218-273	290 $\div$ 400	800p	1900p	400p	230
Q3A/2000-2500	3 x 400 V $\pm$ 10 %	200-250	273-340	400 $\div$ 460	1000p	1900p	400p	230
Q3A/2500-3150	3 x 400 V $\pm$ 10 %	250-315	340-430	450 $\div$ 580	1000p	1900p	400p	250

Dimensions note : P indicates floor mounted control panel.

CB-Q3A-en\_c\_te

## Three-phase Electric Panel

### Q3SF Series



### APPLICATIONS

- Protection and control of a three-phase electric pump.

### SPECIFICATIONS

- Manual control through an Auto/Man selector switch.
- Automatic control through an external enable contact.
- Supply voltage: 3 x 400 V  $\pm$  10%.
- Frequency: 50/60 Hz.
- 24 V AC low voltage auxiliary circuit.
- Power: 5,5 to 160 kW.
- Softstart with torque control.
- Protection class: IP54.
- Ambient temperature: -5 to +40 °C
- Maximum relative humidity: 50% at +40°C, provided that no condensation occurs (according to EN 60439-1).
- Wall mounted.
- Metal enclosure.
- Dry running indicator light.
- Power - pump running - malfunction LEDs on starter keypanel.
- ON/OFF selector switch for activation of by-pass contactor.
- Ready for installation of dry running control float or pressure switch (to be ordered separately). Can be equipped with electronic protection module with electrodes.

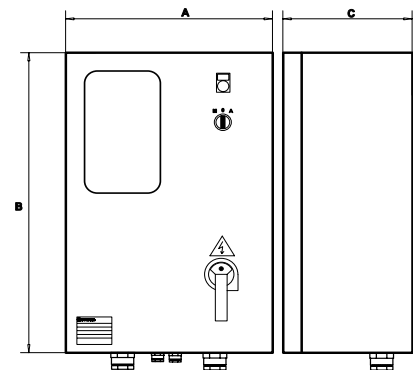
Protections against phase failure / phase sequence / frequency out of limits on power supply line.  
Low-voltage protection on auxiliary circuits.  
Protection against starter overtemperature / overload / malfunction.  
Protection against overload / locked rotor / current asymmetry on motor side.  
Short-circuit protection on inputs and outputs.  
RS232 interface for remote control and RS485 for use of remote keypanel.  
Incorporated by-pass contactor.

### OPTIONAL ACCESSORIES

- KSL series 24 V level kit. Probe module for protection against dry running (set of three electrodes included in the supply).
- Float.
- Pressure switch.

### STATIC STARTER CHARACTERISTICS

- Static starter for gradual start-up/shutdown, featuring: keypanel with liquid crystal display showing voltage, absorbed current,  $\cos \Phi$ , operating hours, number of starts, last twenty messages on system status (events / alarms).



MODEL	RATED VOLTAGE V	RATED POWER		RATED CURRENT A	DIMENSIONS			WEIGHT Kg
		kW	HP		A mm	B mm	C mm	
Q3SF 75	3 x 400 V $\pm$ 10 %	5,5 - 7,5	7,5 - 10	8,5 $\div$ 17	400	600	250	35
Q3SF 150	3 x 400 V $\pm$ 10 %	9,2 - 15	12,5 - 20	15 $\div$ 30	500	700	250	40
Q3SF 220	3 x 400 V $\pm$ 10 %	18,5 - 22	25 - 30	28 $\div$ 45	500	700	250	40
Q3SF 300	3 x 400 V $\pm$ 10 %	30	40	42 $\div$ 60	600	800	300	50
Q3SF 370	3 x 400 V $\pm$ 10 %	37	50	55 $\div$ 75	600	800	300	50
Q3SF 450	3 x 400 V $\pm$ 10 %	45	60	70 $\div$ 85	600	800	300	50
Q3SF 550	3 x 400 V $\pm$ 10 %	55	75	80 $\div$ 110	600	900	300	60
Q3SF 590	3 x 400 V $\pm$ 10 %	59	80	105 $\div$ 125	600	900	300	60
Q3SF 750	3 x 400 V $\pm$ 10 %	75	100	120 $\div$ 142	600p	1700p	400p	120
Q3SF 900	3 x 400 V $\pm$ 10 %	90	125	135 $\div$ 190	600p	1700p	400p	120
Q3SF 1100-1320	3 x 400 V $\pm$ 10 %	110 - 132	150 - 180	185 $\div$ 245	600p	1700p	400p	120
Q3SF 1600	3 x 400 V $\pm$ 10 %	160	218	250 $\div$ 305	1200p	1900p	500p	200

Dimensions note : P indicates floor mounted control panel.

CB-Q3SF-en\_c\_te

## Electrical panel for drainage pumps

### QDRM Series single-phase



#### APPLICATIONS

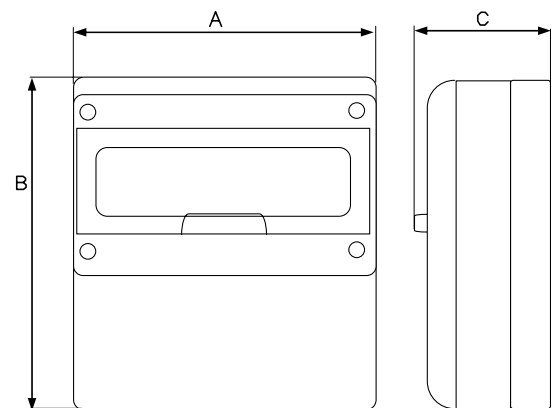
- Protection and control of one single-phase drainage pump.

#### SPECIFICATIONS

- Automatic control through electromechanical floats.
- Power supply voltage: 1 x 230 V  $\pm$  10%.
- Frequency: 50/60 Hz.
- Power: 0,25 to 2,2 kW.
- Direct motor start.
- Protection class: IP55
- Ambient temperature: -5 to +40 °C (according to EN 60439-1).
- Maximum relative humidity: 50% at +40°C, provided that no condensation occurs (according to EN 60439-1).
- Wall mounted.
- Plastic enclosure.
- Electronic control module with test and alarm reset buttons, and power-on, pump running, high level alarm indicator LED's and thermal probe.
- Alarm silencing button.

#### OPTIONAL ACCESSORIES

- Audible or visual signalling device, 12 Vdc 0.3 A max (two connection terminals provided inside the electrical panel) for high-level alarm.



MODEL	RATED VOLTAGE V	RATED POWER		RATED CURRENT A	DIMENSIONS			WEIGHT Kg
		kW	HP		A mm	B mm	C mm	
QDRM/02	1 x 230 V $\pm$ 10 %	0,25	0,33	1 $\div$ 1,6	280	220	160	2,2
QDRM/03	1 x 230 V $\pm$ 10 %	0,37	0,5	1,6 $\div$ 2,5	280	220	160	2,2
QDRM/05	1 x 230 V $\pm$ 10 %	0,55	0,75	2,5 $\div$ 4	280	220	160	2,2
QDRM/07	1 x 230 V $\pm$ 10 %	0,75	1	4 $\div$ 6,3	280	220	160	2,2
QDRM/15	1 x 230 V $\pm$ 10 %	1,1 $\div$ 1,5	1,5 $\div$ 2	6,3 $\div$ 10	280	220	160	2,2
QDRM/22	1 x 230 V $\pm$ 10 %	2,2	3	10 $\div$ 16	280	370	160	4,1

CB-QDRM-en\_c\_te

## Electrical panel for drainage pumps

### QDRMC Series single-phase



#### APPLICATIONS

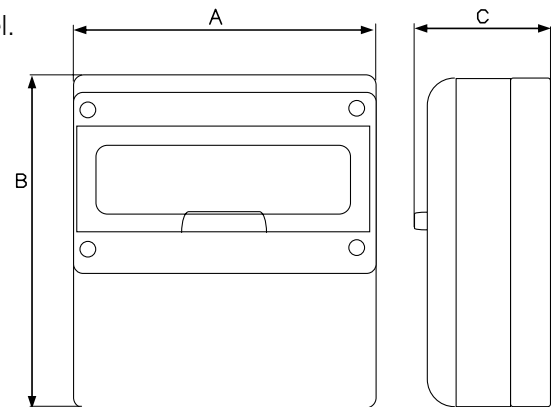
- Protection and control of one single-phase drainage pump with external capacitor.

#### SPECIFICATIONS

- Automatic control through electromechanical floats.
- Power supply voltage: 1 x 230 V  $\pm$  10%.
- Frequency: 50/60 Hz.
- Power: 0,75 to 2,2 kW.
- Direct motor start.
- Protection class: IP55.
- Ambient temperature: -5 to +40 °C (according to EN 60439-1).
- Maximum relative humidity: 50% at +40°C, provided that no condensation occurs (according to EN 60439-1).
- Wall mounted.
- Plastic enclosure.
- Electronic control module with test and alarm reset buttons, and power-on, pump running, high level alarm, indicator LED's and thermal probe.
- Alarm silencing button.
- Start and run capacitor incorporated in the control panel.
- /TS/GL versions for electropumps GLS/GLV series.

#### OPTIONAL ACCESSORIES

- Audible or visual signalling device, 12 Vdc 0,3 A max (two connection terminals provided inside the electrical panel) for high-level alarm.



MODEL	RATED VOLTAGE V	RATED POWER		RATED CURRENT A	DIMENSIONS			WEIGHT Kg	C uF	Cs uF
		kW	HP		A mm	B mm	C mm			
QDRMC/15/TS/GL	1 x 230 V $\pm$ 10 %	1,5	2	6,3 $\div$ 10	280	370	160	4	35	100

C= Run capacitor; Cs= Start capacitor

CB-QDRMC-en\_f\_te

## Electrical panel for drainage pumps

### QDR Series three-phase



### APPLICATIONS

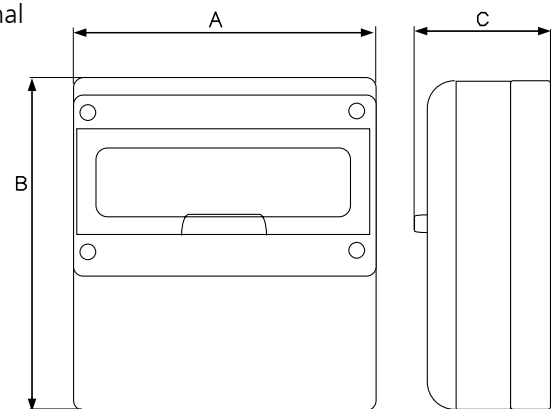
- Protection and control of one three-phase drainage pump.

### SPECIFICATIONS

- Automatic control through electromechanical floats.
- Power supply voltage: 3 x 400 V  $\pm$  10%.
- Frequency: 50/60 Hz.
- Power: 0,37 to 9,2 kW.
- Direct motor start.
- Protection class: IP55.
- Ambient temperature: -5 to +40 °C (according to EN 60439-1).
- Maximum relative humidity: 50% at +40°C, provided that no condensation occurs (according to EN 60439-1).
- Wall mounted.
- Plastic enclosure.
- Electronic control module with test and alarm reset buttons, and power-on, pump running, high level alarm, indicator LED's and thermal probe.
- Alarm silencing button.
- /TS version equipped with stator thermal protection circuit.
- /WD version equipped with oil chamber water sensor control circuit and stator thermal protection.

### OPTIONAL ACCESSORIES

- Audible or visual signalling device, 12 Vdc 0,3 A max (two connection terminals provided inside the electrical panel) for high-level alarm.



MODEL	RATED VOLTAGE V	RATED POWER		RATED CURRENT A	DIMENSIONS			WEIGHT Kg
		kW	HP		A mm	B mm	C mm	
QDR/03	3 x 400 V $\pm$ 10 %	0,37	0,5	0,63 ÷ 1	280	370	150	4,1
QDR/05	3 x 400 V $\pm$ 10 %	0,55	0,75	1 ÷ 1,6	280	370	150	4,1
QDR/07	3 x 400 V $\pm$ 10 %	0,75	1	1,6 ÷ 2,5	280	370	150	4,1
QDR/15	3 x 400 V $\pm$ 10 %	1,1 ÷ 1,5	1,5 ÷ 2	2,5 ÷ 4	280	370	150	4,1
QDR/22	3 x 400 V $\pm$ 10 %	2,2	3	4 ÷ 6,3	280	370	150	4,1
QDR/40	3 x 400 V $\pm$ 10 %	3 ÷ 4	4 ÷ 5,5	6,3 ÷ 10	280	370	150	4,1
QDR/75	3 x 400 V $\pm$ 10 %	5,5 ÷ 7,5	7,5 ÷ 10	10 ÷ 16	280	370	150	4,1
QDR/07/TS	3 x 400 V $\pm$ 10 %	0,75	1	1,6 ÷ 2,5	280	370	150	4,5
QDR/15/TS	3 x 400 V $\pm$ 10 %	1,5	2	2,5 ÷ 4	280	370	150	4,5
QDR/22/TS	3 x 400 V $\pm$ 10 %	2,2	3	4 ÷ 6,3	280	370	150	4,5
QDR/07/WD	3 x 400 V $\pm$ 10 %	0,75	1	1,6 ÷ 2,5	280	370	150	5
QDR/15/WD	3 x 400 V $\pm$ 10 %	1,5	2	2,5 ÷ 4	280	370	150	5
QDR/22/WD	3 x 400 V $\pm$ 10 %	2,2	3	4 ÷ 6,3	280	370	150	5

The /WD option also includes the /TS option.

CB-QDR-en\_c\_te

## Electrical panel for drainage pumps

### QYR Series three-phase



#### APPLICATIONS

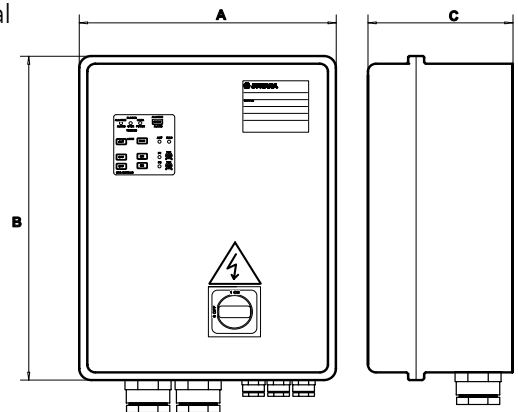
- Protection and control of one three-phase drainage pump with star-delta start.

#### SPECIFICATIONS

- Automatic control through electromechanical floats.
- Power supply voltage: 3 x 400 V  $\pm$  10%.
- Frequency: 50/60 Hz.
- Power: 3 to 75 kW.
- Star-delta motor start.
- Protection class: IP54.
- Ambient temperature: -5 to +40 °C (according to EN 60439-1).
- Maximum relative humidity: 50% at +40°C, provided that no condensation occurs (according to EN 60439-1).
- Wall mounted.
- Metal enclosure.
- Electronic board with power, thermal overload, high level alarm, pump start/stop indicator LEDs.
- Alarm silencing button.
- /TS version equipped with stator thermal protection circuit.
- /WD version equipped with oil chamber water sensor control circuit and stator thermal protection.

#### OPTIONAL ACCESSORIES

- Audible or visual signalling device, 12 Vdc 0,3 A max (two connection terminals provided inside the electrical panel) for high-level alarm.
- Signal relay board kit RILS20 (power, auto/man, start/stop, thermal overload, high level).





## QYR SERIES PANELS ELECTRICAL DATA TABLE

MODEL	RATED VOLTAGE V	RATED POWER		RATED CURRENT A	DIMENSIONS			WEIGHT Kg
		kW	HP		A mm	B mm	C mm	
QYR/40	3 x 400 V ± 10 %	3 ÷ 4	4 ÷ 5,5	6,3 ÷ 10	400	500	200	25
QYR/75	3 x 400 V ± 10 %	5,5 ÷ 7,5	7,5 ÷ 10	10 ÷ 16	400	500	200	25
QYR/92	3 x 400 V ± 10 %	9,2	12,5	16 ÷ 20	400	500	200	25
QYR/110	3 x 400 V ± 10 %	11	15	20 ÷ 25	400	500	200	25
QYR/150	3 x 400 V ± 10 %	15	20	22 ÷ 32	400	600	200	27
QYR/185	3 x 400 V ± 10 %	18,5	25	28 ÷ 40	400	600	200	27
QYR/220	3 x 400 V ± 10 %	22	30	36 ÷ 50	500	700	200	32
QYR/300	3 x 400 V ± 10 %	30	40	45 ÷ 63	500	700	200	32
QYR/370	3 x 400 V ± 10 %	37	50	57 ÷ 75	600	800	250	32
QYR/450	3 x 400 V ± 10 %	45	60	70 ÷ 90	600	800	250	32
QYR/550	3 x 400 V ± 10 %	55	75	80 ÷ 108	600	900	250	37
QYR/750	3 x 400 V ± 10 %	75	100	105 ÷ 138	600p	1300p	300p	70
QYR/22/TS	3 x 400 V ± 10 %	2,2	3	4 ÷ 6,3	400	500	200	25
QYR/40/TS	3 x 400 V ± 10 %	3 ÷ 4	4 ÷ 5,5	6,3 ÷ 10	400	500	200	26
QYR/75/TS	3 x 400 V ± 10 %	5,5 ÷ 7,5	7,5 ÷ 10	10 ÷ 16	400	500	200	26
QYR/92/TS	3 x 400 V ± 10 %	9,2	12,5	16 ÷ 20	400	500	200	26
QYR/110/TS	3 x 400 V ± 10 %	11	15	20 ÷ 25	400	500	200	26
QYR/150/TS	3 x 400 V ± 10 %	15	20	22 ÷ 32	400	600	200	27
QYR/185/TS	3 x 400 V ± 10 %	18,5	25	28 ÷ 40	400	600	200	27
QYR/220/TS	3 x 400 V ± 10 %	22	30	36 ÷ 50	500	700	200	32
QYR/300/TS	3 x 400 V ± 10 %	30	40	45 ÷ 63	500	700	200	32
QYR/370/TS	3 x 400 V ± 10 %	37	50	57 ÷ 75	600	800	250	33
QYR/450/TS	3 x 400 V ± 10 %	45	60	70 ÷ 90	600	800	250	33
QYR/550/TS	3 x 400 V ± 10 %	55	75	80 ÷ 108	600	900	250	37
QYR/750/TS	3 x 400 V ± 10 %	75	100	105 ÷ 138	600p	1300p	300p	70
QYR/40/WD	3 x 400 V ± 10 %	3 ÷ 4	4 ÷ 5,5	6,3 ÷ 10	400	500	200	26
QYR/75/WD	3 x 400 V ± 10 %	5,5 ÷ 7,5	7,5 ÷ 10	10 ÷ 16	400	500	200	26
QYR/92/WD	3 x 400 V ± 10 %	9,2	12,5	16 ÷ 20	400	500	200	26
QYR/110/WD	3 x 400 V ± 10 %	11	15	20 ÷ 25	400	500	200	26
QYR/150/WD	3 x 400 V ± 10 %	15	20	22 ÷ 32	400	600	200	28
QYR/185/WD	3 x 400 V ± 10 %	18,5	25	28 ÷ 40	400	600	200	28
QYR/220/WD	3 x 400 V ± 10 %	22	30	36 ÷ 50	500	700	200	33
QYR/300/WD	3 x 400 V ± 10 %	30	40	45 ÷ 63	500	700	200	33
QYR/370/WD	3 x 400 V ± 10 %	37	50	57 ÷ 75	600	800	250	33
QYR/450/WD	3 x 400 V ± 10 %	45	60	70 ÷ 90	600	800	250	33
QYR/550/WD	3 x 400 V ± 10 %	55	75	80 ÷ 108	600	900	250	38
QYR/750/WD	3 x 400 V ± 10 %	75	100	105 ÷ 138	600p	1300p	300p	71

Dimensions: p = floor-standing cabinet.

CB-QYR-en\_e\_te

## Electrical panel for drainage pumps

### QDRM2 Series single-phase



#### APPLICATIONS

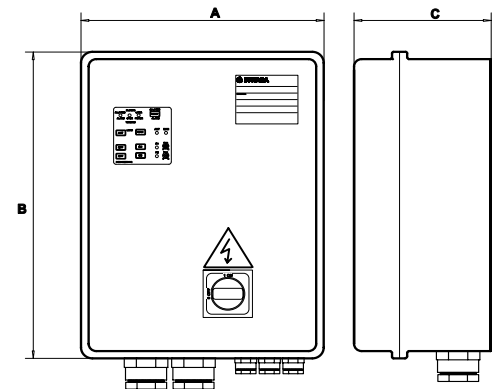
- Protection and control of two single-phase drainage pumps.

#### SPECIFICATIONS

- Automatic control through electromechanical floats.
- Power supply voltage: 1 x 230 V  $\pm$  10%.
- Frequency: 50/60 Hz.
- Power: 0,25 to 2,2 kW.
- Direct motor start.
- Protection class: IP54.
- Ambient temperature: -5 to +40 °C (according to EN 60439-1).
- Maximum relative humidity: 50% at +40°C, provided that no condensation occurs (according to EN 60439-1).
- Wall mounted.
- Metal enclosure.
- Electronic board with power, thermal overload, high level alarm, pump start/stop indicator LEDs.
- Alarm silencing button.

#### OPTIONAL ACCESSORIES

- Audible or visual signalling device, 12 Vdc 0,3 A max (two connection terminals provided inside the electrical panel) for high-level alarm.
- Signal relay board kit RILS20 (power, auto/man, start/stop, thermal overload, high level).



MODEL	RATED VOLTAGE V	RATED POWER		RATED CURRENT A	DIMENSIONS			WEIGHT Kg
		kW	HP		A mm	B mm	C mm	
QDRM2/02	1 x 230 V $\pm$ 10 %	0,25	0,33	1 $\div$ 1,6	260	380	150	9,4
QDRM2/03	1 x 230 V $\pm$ 10 %	0,37	0,5	1,6 $\div$ 2,5	260	380	150	9,4
QDRM2/05	1 x 230 V $\pm$ 10 %	0,55	0,75	2,5 $\div$ 4	260	380	150	9,4
QDRM2/07	1 x 230 V $\pm$ 10 %	0,75	1	4 $\div$ 6,3	260	380	150	9,4
QDRM2/15	1 x 230 V $\pm$ 10 %	1,1 $\div$ 1,5	1,5 $\div$ 2	6,3 $\div$ 10	260	380	150	9,4
QDRM2/22	1 x 230 V $\pm$ 10 %	2,2	3	10 $\div$ 16	260	380	150	9,4

CB-QDRM2-en\_a\_te

## Electrical panel for drainage pumps

### APPLICATIONS

- Protection and control of two single-phase drainage pumps with external capacitor.

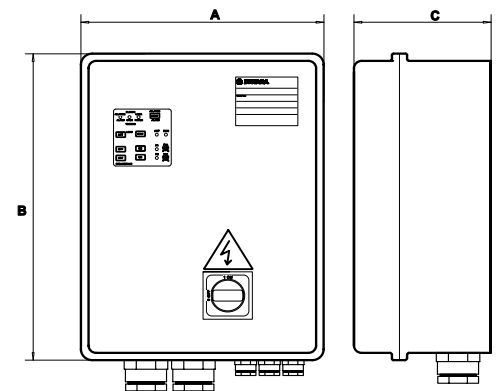
## QDRMC2 Series single-phase SPECIFICATIONS



- Automatic control through electromechanical floats.
- Power supply voltage: 1 x 230 V  $\pm$  10%.
- Frequency: 50/60 Hz.
- Power: 0,75 to 2,2 kW.
- Direct motor start.
- Protection class: IP54.
- Ambient temperature: -5 to +40 °C (according to EN 60439-1).
- Maximum relative humidity: 50% at +40°C, provided that no condensation occurs (according to EN 60439-1).
- Wall mounted.
- Plastic enclosure.
- Electronic board with power, thermal overload, high level alarm, pump start/stop indicator LEDs.
- Start and run capacitor incorporated in the control panel.
- /TS/GL versions for electropumps GLS/GLV series.

### OPTIONAL ACCESSORIES

- Audible or visual signalling device, 12 Vdc 0,3 A max (two connection terminals provided inside the electrical panel) for high-level alarm.
- Signal relay board kit RILS20 (power, auto/man, start/stop, thermal overload, high level).



MODEL	RATED VOLTAGE V	RATED POWER		RATED CURRENT A	DIMENSIONS			WEIGHT Kg	C uF	Cs uF
		kW	HP		A mm	B mm	C mm			
QDRMC2/15/TS/GL	1 x 230 V $\pm$ 10 %	1,5	2	6,3 $\div$ 10	390	470	130	10	35	100

C = Run capacitor; Cs = Start capacitor.

CB-QDRMC2-en\_e\_te

## Electrical panel for drainage pumps

### QXR20 Series single-phase



#### APPLICATIONS

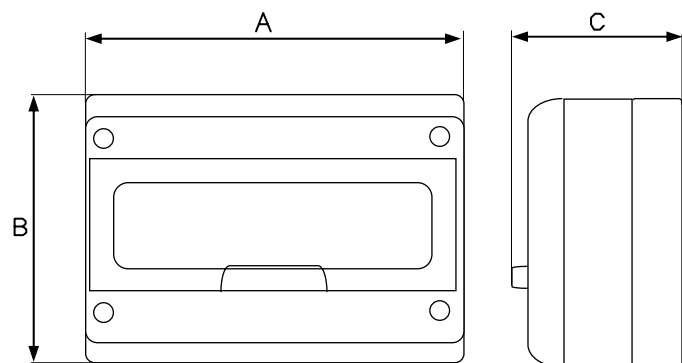
- Protection and control of two single-phase drainage pumps.

#### SPECIFICATIONS

- Automatic control through electromechanical floats.
- Power supply voltage: 1 x 230 V  $\pm$  10%.
- Frequency: 50/60 Hz.
- Power: 0,25 to 1,5 kW.
- Direct motor start.
- Protection class: IP55.
- Ambient temperature: -5 to +40 °C (according to EN 60439-1).
- Maximum relative humidity: 50% at +40°C, provided that no condensation occurs (according to EN 60439-1).
- Wall mounted.
- Plastic enclosure.
- Electronic board with power, thermal overload, acoustic alarm of high level, pump, start/stop indicator LEDs.
- Alarm silencing button.
- Cyclic exchange starting pumps.
- Aut-0-Man selector (1 for each pump).
- One pump is controlled by the closing of internal contact that is inside the control card.

#### OPTIONAL ACCESSORIES

- Signal relay board kit RILS20 (power, auto man, start/stop, thermal overload, high level).



MODEL	RATED VOLTAGE V	RATED POWER		RATED CURRENT A	DIMENSIONS			WEIGHT Kg
		kW	HP		A mm	B mm	C mm	
QXR20	1 x 230 V $\pm$ 10 %	0,25 ÷ 1,5	0,33 ÷ 2	1 ÷ 10	205	220	160	1,5

CB-QXR20-en\_a\_te

## Electrical panel for drainage pumps

### QDR2 Series three-phase



### APPLICATIONS

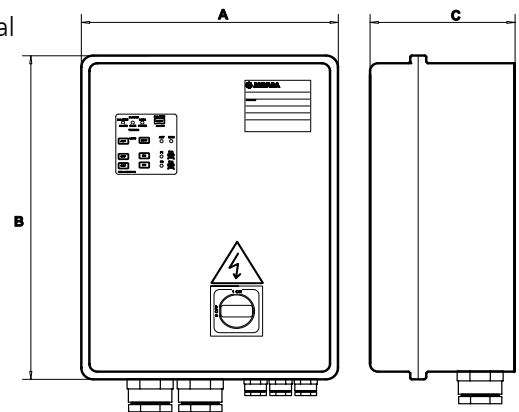
- Protection and control of two three-phase drainage pumps.

### SPECIFICATIONS

- Automatic control through electromechanical floats.
- Power supply voltage: 3 x 400 V  $\pm$  10%.
- Frequency: 50/60 Hz.
- Power: 0,37 to 9,2 kW.
- Direct motor start.
- Protection class: IP54.
- Ambient temperature: -5 to +40 °C (according to EN 60439-1).
- Maximum relative humidity: 50% at +40°C, provided that no condensation occurs (according to EN 60439-1).
- Wall mounted.
- Metal enclosure.
- Electronic board with power, thermal overload, high level alarm, pump start/stop indicator LEDs.
- Alarm silencing button.
- /TS version equipped with stator thermal protection circuit.
- /WD version equipped with oil chamber water sensor control circuit and stator thermal protection.

### OPTIONAL ACCESSORIES

- Audible or visual signalling device, 12 Vdc 0,3 A max (two connection terminals provided inside the electrical panel) for high-level alarm.
- Signal relay board kit RILS20 (power, auto/man, start/stop, thermal overload, high level).



MODEL	RATED VOLTAGE V	RATED POWER		RATED CURRENT A	DIMENSIONS			WEIGHT Kg
		kW	HP		A mm	B mm	C mm	
QDR2/03	3 x 400 V $\pm$ 10 %	0,37	0,5	0,63 ÷ 1	260	380	150	9,4
QDR2/05	3 x 400 V $\pm$ 10 %	0,55	0,75	1 ÷ 1,6	260	380	150	9,4
QDR2/07	3 x 400 V $\pm$ 10 %	0,75	1	1,6 ÷ 2,5	260	380	150	9,4
QDR2/15	3 x 400 V $\pm$ 10 %	1,1 ÷ 1,5	1,5 ÷ 2	2,5 ÷ 4	260	380	150	9,4
QDR2/22	3 x 400 V $\pm$ 10 %	2,2	3	4 ÷ 6,3	260	380	150	9,4
QDR2/40	3 x 400 V $\pm$ 10 %	3 ÷ 4	4 ÷ 5,5	6,3 ÷ 10	260	380	150	9,4
QDR2/75	3 x 400 V $\pm$ 10 %	5,5 ÷ 7,5	7,5 ÷ 10	10 ÷ 16	260	380	150	9,4
QDR2/92	3 x 400 V $\pm$ 10 %	9,2	12,5	16 ÷ 20	300	400	180	11
QDR2/07/TS	3 x 400 V $\pm$ 10 %	0,75	1	1,6 ÷ 2,5	400	400	200	14
QDR2/15/TS	3 x 400 V $\pm$ 10 %	1,1 ÷ 1,5	1,5 ÷ 2	2,5 ÷ 4	400	400	200	14
QDR2/22/TS	3 x 400 V $\pm$ 10 %	2,2	3	4 ÷ 6,3	400	400	200	14
QDR2/07/WD	3 x 400 V $\pm$ 10 %	0,75	1	1,6 ÷ 2,5	400	500	200	18
QDR2/15/WD	3 x 400 V $\pm$ 10 %	1,1 ÷ 1,5	1,5 ÷ 2	2,5 ÷ 4	400	500	200	18
QDR2/22/WD	3 x 400 V $\pm$ 10 %	2,2	3	4 ÷ 6,3	400	500	200	18

The /WD option also includes the /TS option.

CB-QDR2-en\_b\_te

## Electrical panel for drainage pumps

### QYR2 Series three-phase



#### APPLICATIONS

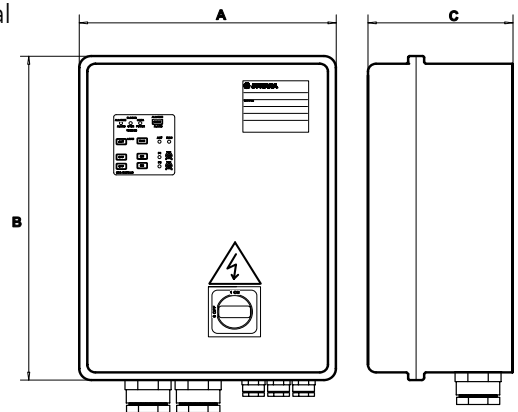
- Protection and control of two three-phase drainage pumps with star-delta start.

#### SPECIFICATIONS

- Automatic control through electromechanical floats.
- Power supply voltage: 3 x 400 V  $\pm$  10%.
- Frequency: 50/60 Hz.
- Power: 3 to 75 kW.
- Star-delta motor start.
- Protection class: IP54.
- Ambient temperature: -5 to +40 °C (according to EN 60439-1).
- Maximum relative humidity: 50% at +40°C, provided that no condensation occurs (according to EN 60439-1).
- Wall mounted.
- Metal enclosure.
- Electronic board with power, thermal overload, high level alarm, pump start/stop indicator LEDs.
- Alarm silencing button.
- /TS version equipped with stator thermal protection circuit.
- /WD version equipped with oil chamber water sensor control circuit and stator thermal protection.

#### OPTIONAL ACCESSORIES

- Audible or visual signalling device, 12 Vdc 0,3 A max (two connection terminals provided inside the electrical panel) for high-level alarm.
- Signal relay board kit RILS20 (power, auto/man, start/stop, thermal overload, high level).



## QYR2 SERIES PANELS ELECTRIC DATA TABLE

MODEL	RATED VOLTAGE V	RATED POWER		RATED CURRENT A	DIMENSIONS			WEIGHT Kg
		kW	HP		A mm	B mm	C mm	
QYR2/40	3 x 400 V ± 10 %	3 ÷ 4	4 ÷ 5,5	6,3 ÷ 10	500	700	200	55
QYR2/75	3 x 400 V ± 10 %	5,5 ÷ 7,5	7,5 ÷ 10	10 ÷ 16	500	700	200	55
QYR2/92	3 x 400 V ± 10 %	9,2	12,5	16 ÷ 20	500	700	200	55
QYR2/110	3 x 400 V ± 10 %	11	15	20 ÷ 25	500	700	200	55
QYR2/150	3 x 400 V ± 10 %	15	20	22 ÷ 32	600	800	250	68
QYR2/185	3 x 400 V ± 10 %	18,5	25	28 ÷ 40	600	800	250	68
QYR2/220	3 x 400 V ± 10 %	22	30	36 ÷ 50	600	900	250	75
QYR2/300	3 x 400 V ± 10 %	30	40	45 ÷ 63	600	900	250	75
QYR2/370	3 x 400 V ± 10 %	37	50	57 ÷ 75	600p	1300p	300p	92
QYR2/450	3 x 400 V ± 10 %	45	60	70 ÷ 90	800p	1700p	300p	125
QYR2/550	3 x 400 V ± 10 %	55	75	80 ÷ 108	800p	1700p	300p	125
QYR2/750	3 x 400 V ± 10 %	75	100	105 ÷ 138	800p	1900p	300p	148
QYR2/22/TS	3 x 400 V ± 10 %	2,2	3	4 ÷ 6,3	500	700	200	55
QYR2/40/TS	3 x 400 V ± 10 %	3 ÷ 4	4 ÷ 5,5	6,3 ÷ 10	500	700	200	55
QYR2/75/TS	3 x 400 V ± 10 %	5,5 ÷ 7,5	7,5 ÷ 10	10 ÷ 16	500	700	200	55
QYR2/92/TS	3 x 400 V ± 10 %	9,2	12,5	16 ÷ 20	500	700	200	55
QYR2/110/TS	3 x 400 V ± 10 %	11	15	20 ÷ 25	500	700	200	55
QYR2/150/TS	3 x 400 V ± 10 %	15	20	22 ÷ 32	600	800	250	68
QYR2/185/TS	3 x 400 V ± 10 %	18,5	25	28 ÷ 40	600	800	250	68
QYR2/220/TS	3 x 400 V ± 10 %	22	30	36 ÷ 50	600	900	250	75
QYR2/300/TS	3 x 400 V ± 10 %	30	40	45 ÷ 63	600	900	250	75
QYR2/370/TS	3 x 400 V ± 10 %	37	50	57 ÷ 75	600p	1300p	300p	92
QYR2/450/TS	3 x 400 V ± 10 %	45	60	70 ÷ 90	800p	1700p	300p	125
QYR2/550/TS	3 x 400 V ± 10 %	55	75	80 ÷ 108	800p	1700p	300p	125
QYR2/750/TS	3 x 400 V ± 10 %	75	100	105 ÷ 138	800p	1900p	300p	148
QYR2/40/WD	3 x 400 V ± 10 %	3 ÷ 4	4 ÷ 5,5	6,3 ÷ 10	500	700	200	55
QYR2/75/WD	3 x 400 V ± 10 %	5,5 ÷ 7,5	7,5 ÷ 10	10 ÷ 16	500	700	200	55
QYR2/92/WD	3 x 400 V ± 10 %	9,2	12,5	16 ÷ 20	500	700	200	55
QYR2/110/WD	3 x 400 V ± 10 %	11	15	20 ÷ 25	500	700	200	55
QYR2/150/WD	3 x 400 V ± 10 %	15	20	22 ÷ 32	600	800	250	68
QYR2/185/WD	3 x 400 V ± 10 %	18,5	25	28 ÷ 40	600	800	250	68
QYR2/220/WD	3 x 400 V ± 10 %	22	30	36 ÷ 50	600	900	250	75
QYR2/300/WD	3 x 400 V ± 10 %	30	40	45 ÷ 63	600	900	250	75
QYR2/370/WD	3 x 400 V ± 10 %	37	50	57 ÷ 75	600p	1300p	300p	92
QYR2/450/WD	3 x 400 V ± 10 %	45	60	70 ÷ 90	800p	1700p	300p	125
QYR2/550/WD	3 x 400 V ± 10 %	55	75	80 ÷ 108	800p	1700p	300p	125
QYR2/750/WD	3 x 400 V ± 10 %	75	100	105 ÷ 138	800p	1900p	300p	148

Dimensions: p = floor-standing cabinet.

CB-QYR2-en\_b\_te

## Level Control Panel

### APPLICATIONS

- Accessory for electric pump control panels, suitable for tank filling or drainage applications or for activation of audible or visual alarms.

## QCL5 Series



### SPECIFICATIONS

- Automatic control through probes.
- Supply voltage:  
1 x 230 V  $\pm$ 10% or 1 x 24 V  $\pm$ 10%.
- Frequency: 50/60 Hz.
- Voltage to probes:  
15 V AC at 0,5 mA max.
- Switch contact 48 V AC at 3 A max (250 W max).
- Protection class: IP55.
- Ambient temperature: -5 to +40 °C (according to EN 60439-1).
- Maximum relative humidity: 50% at +40°C, provided that no condensation occurs (according to EN 60439-1).
- Wall mounted.
- Plastic enclosure.
- Electrodes suitable for water at a maximum temperature of 40°C.
- Set of three electrodes included in the supply.

### OPTIONAL ACCESSORIES

- Drop cable with circular cross section.

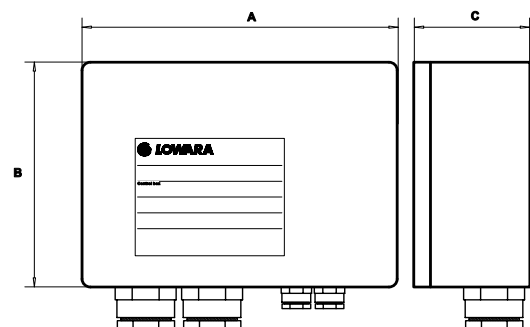
For connection of the electrodes to the panel we recommend the following cross sections:

LENGHT m		CABLE SECTION mm <sup>2</sup>
0	50	0,5
50	100	0,75
100	200	1,0
200	400	2,5

CB-CASEL-en\_b\_te

Three-pole cables can be used for short lengths.

Otherwise we recommend the use of unipolar cables placed at suitable distance from each other to prevent the capacitive effect of the cable from interfering with the proper operation of the electronic module.



TYPE	POWER SUPPLY			CONTACT			DIMENSIONS A x B x C mm	WEIGHT Kg
	VOLTAGE V	FREQUENCY Hz	POWER W	TYPE	RANGE V	A		
QCL5/24	1 x 24	50/60	2	NO-C-NC	48	3	90 x 130 x 60	0,5
QCL5/230	1 x 230	50/60	2					

CB-QCL5-en\_a\_te



## Level Control Panel

### APPLICATIONS

- Accessory for electric pump control panels, suitable for tank filling or drainage applications or for activation of audible or visual alarms.

## QCL10 Series



### SPECIFICATIONS

- Automatic control through probes.
- Supply voltage: 1 x 230 V  $\pm$ 10% or 1 x 24 V  $\pm$ 10%.
- Frequency: 50/60 Hz.
- Voltage to probes: 7,5 V AC at 0,4 mA max.
- Protection class: IP55.
- Ambient temperature: -5 to +40 °C (according to EN 60439-1).
- Maximum relative humidity: 50% at +40°C, provided that no condensation occurs (according to EN 60439-1).
- Wall mounted.
- Plastic enclosure.
- Electrodes suitable for water at a maximum temperature of 60°C.
- Set of three electrodes included in the supply.

### OPTIONAL ACCESSORIES

- Drop cable with circular cross section.

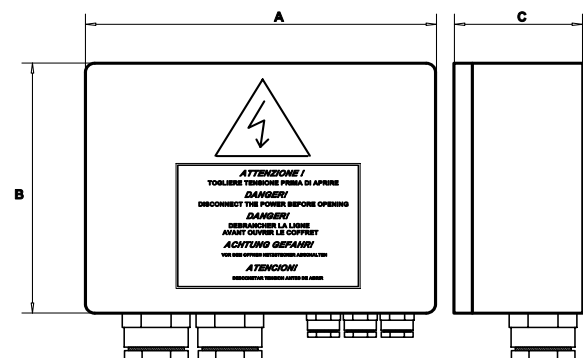
For connection of the electrodes to the panel we recommend the following cross sections:

LENGHT m		CABLE SECTION mm <sup>2</sup>
0	50	0,5
50	100	0,75
100	200	1,0
200	400	2,5

CB-CASEL-en\_b\_te

Three-pole cables can be used for short lengths.

Otherwise we recommend the use of unipolar cables placed at suitable distance from each other to prevent the capacitive effect of the cable from interfering with the proper operation of the electronic module.



TYPE	POWER SUPPLY		CONTACTOR			DIMENSIONS A x B x C mm	WEIGHT Kg		
	MAIN V	SECONDARY V	CLASS	RANGE V A					
QCL10/24	1x230	50/60 Hz	1x 24	50/60 Hz	AC3	230	9	170 x 170 x 130	1
QCL10/230	1x230	50/60 Hz	-						

CB-QCL10-en\_a\_te

## Kit 24 V Level Probe

### APPLICATIONS

- Accessory for Lowara electric panels.

## KSL Series



### SPECIFICATIONS

- Electronic module for use of probes as protection against dry running.
- Supply voltage: 1 x 24 V  $\pm$  10%.
- Frequency: 50/60 Hz.
- Absorbed power: 3,5 VA max.
- Voltage to probes: 7,5 V AC at 0,4 mA max.
- Switch contact 24 V AC at 5 A max (250 W max).
- Designed for installation on Lowara electric panels featuring DIN bar.
- Electrodes suitable for water at a maximum temperature of 60°C.

### CONSTRUCTION CHARACTERISTICS

- Module made of plastic material with DIN bar attachment.
- Cables with quick plug-in connectors.
- Set of three electrodes included in the supply.
- Electrodes with nylon 6 body, stainless steel sensitive element brass washer and nitrile rubber seal.

### OPTIONAL ACCESSORIES

- Drop cable with circular cross section.

For connection of the electrodes to the panel we recommend the following cross sections:

LENGHT m		CABLE SECTION mm <sup>2</sup>
0	50	0,5
50	100	0,75
100	200	1,0
200	400	2,5

CB-CASEL-en\_b\_te

Three-pole cables can be used for short lengths.

Otherwise we recommend the use of unipolar cables placed at suitable distance from each other to prevent the capacitive effect of the cable from interfering with the proper operation of the electronic module.

TYPE	POWER SUPPLY		CONTACT			DIMENSIONS A x B x C mm	WEIGHT Kg	PANELS	
	MAIN V	POWER VA	TYPE	RANGE V~	A				
KIT KSL/24	1x24	50/60 Hz	3,5	N0-C-NC	250	8	90 x 36 x 60	0,5	QSCS-QM-QTD-Q3D-Q3Y-Q3A-Q3I-Q3SF

CB-SLD-en\_b\_te

## Lightning Protection

### APPLICATIONS

- Accessory for Lowara electric panels.

## DPF Series



### SPECIFICATIONS

- Varistor for overvoltage protection of single-phase lines.
- Operating voltage: 460 V AC.
- Maximum varistor voltage: 750 V with 100 A peak current.
- To be connected between the phase and neutral conductor by the user (installer).

TYPE	VOLTAGE V	PANELS
DPF	1 x 220-240 50/60 Hz	QSM - QSC - QSCS - QPC

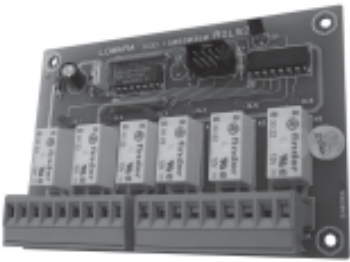
CB-VR-en\_e\_te

## Electronic board

### APPLICATIONS

- Accessory for Lowara electric panels. (QYR, QDRM2, QDRMC2, QXR20, QDR2, QYR2).

## KIT RILS20 Series

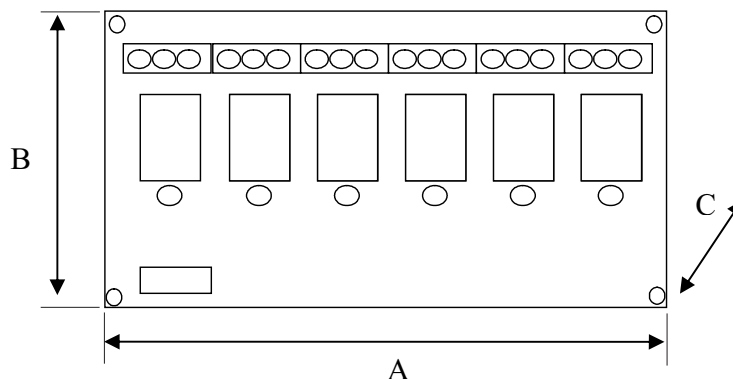


### SPECIFICATIONS

- 12 Vdc power input from motherboard.
- Six low profile 12 Vdc relays with 1A 230 Vac exchange contact.
- Indicator LED's available for each relay.
- Available signals: power-on, manual/automatic mode, pump 1 running, pump 2 running, thermal overload, level alarm.
- Assembly: with board guides as well as 4 holes for flat-mounting on uprights.
- Customer-side output connections: removable clamp.
- Maximum dimensions: A=112 mm, B=80 mm, C=22 mm.

### PRODUCT FEATURES

Complete electronic board providing clean system status contacts. Can be connected, via an 8-way serial cable with sealed plug, to boards SM20C, SDR20B (1000 mm long cable supplied). 1500 mm long cable available on request.



**По вопросам продаж и поддержки обращайтесь:**

Архангельск (8182)63-90-72	Казань (843)206-01-48	Новокузнецк (3843)20-46-81	Смоленск (4812)29-41-54
Астана +7(7172)727-132	Калининград (4012)72-03-81	Новосибирск (383)227-86-73	Сочи (862)225-72-31
Астрахань (8512)99-46-04	Калуга (4842)92-23-67	Омск (3812)21-46-40	Ставрополь (8652)20-65-13
Барнаул (3852)73-04-60	Кемерово (3842)65-04-62	Орел (4862)44-53-42	Сургут (3462)77-98-35
Белгород (4722)40-23-64	Киров (8332)68-02-04	Оренбург (3532)37-68-04	Тверь (4822)63-31-35
Брянск (4832)59-03-52	Краснодар (861)203-40-90	Пенза (8412)22-31-16	Томск (3822)98-41-53
Владивосток (423)249-28-31	Красноярск (391)204-63-61	Пермь (342)205-81-47	Тула (4872)74-02-29
Волгоград (844)278-03-48	Курск (4712)77-13-04	Ростов-на-Дону (863)308-18-15	Тюмень (3452)66-21-18
Вологда (8172)26-41-59	Липецк (4742)52-20-81	Рязань (4912)46-61-64	Ульяновск (8422)24-23-59
Воронеж (473)204-51-73	Магнитогорск (3519)55-03-13	Самара (846)206-03-16	Уфа (347)229-48-12
Екатеринбург (343)384-55-89	Москва (495)268-04-70	Санкт-Петербург (812)309-46-40	Хабаровск (4212)92-98-04
Иваново (4932)77-34-06	Мурманск (8152)59-64-93	Саратов (845)249-38-78	Челябинск (351)202-03-61
Ижевск (3412)26-03-58	Набережные Челны (8552)20-53-41	Севастополь (8692)22-31-93	Череповец (8202)49-02-64
Иркутск (395) 279-98-46	Нижний Новгород (831)429-08-12	Симферополь (3652)67-13-56	Ярославль (4852)69-52-93

Киргизия (996)312-96-26-47

Казахстан (772)734-952-31

Таджикистан (992)427-82-92-69

Эл. почта [wro@nt-rt.ru](mailto:wro@nt-rt.ru) || Сайт: <https://lowara.nt-rt.ru/>

# Xylem |'zīləm|

- 1) The tissue in plants that brings water upward from the roots;
- 2) a leading global water technology company.

We're approximately 12,900 people unified in a common purpose: creating innovative solutions to meet our world's water needs. Developing new technologies that will improve the way water is used, conserved, and re-used in the future is central to our work. We move, treat, analyze, and return water to the environment, and we help people use water efficiently, in their homes, buildings, factories and farms. In more than 150 countries, we have strong, long-standing relationships with customers who know us for our powerful combination of leading product brands and applications expertise, backed by a legacy of innovation.

**For more information on how Xylem can help you, go to [xylem.com](http://xylem.com).**



Legal head office  
Xylem Water Solutions Italia Srl

Via Gioacchino Rossini 1/A  
20020 - Lainate (MI) - Italy  
Tel. (+39) 02 90358.1  
Fax (+39) 02 9019990  
[www.xylemwatersolutions.com](http://www.xylemwatersolutions.com)

For information and technical support  
Xylem Service Italia Srl

Via Dottor Vittorio Lombardi 14  
36075 - Montecchio Maggiore (VI) - Italy  
Tel. (+39) 0444 707111  
Fax (+39) 0444 491043  
[www.lowara.com](http://www.lowara.com)

Xylem Water Solutions Italia Srl reserves the right to make modification without prior notice.  
Lowara, Xylem are trademarks of Xylem Inc. or one of its subsidiaries  
© 2013 Xylem, Inc.